

# How to Order

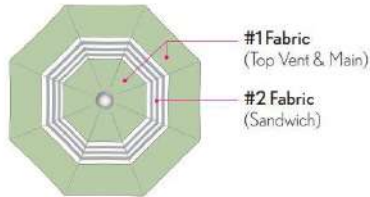
## 1. Choose your design

- DC4/DC5 designs come with a double wind vent, DC6/DC7 designs come with a single wind vent

### Item No.: DC4

#### Sandwich (DWV ONLY)

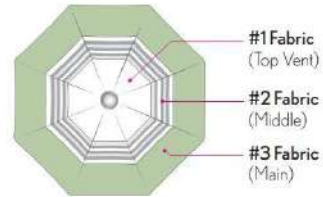
Specify 2 fabrics



### Item No.: DC5

#### Three Fabrics (DWV ONLY)

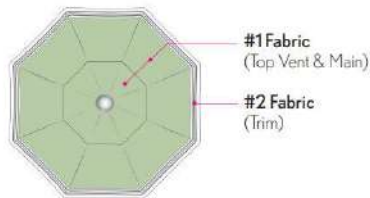
Specify 3 fabrics



### Item No.: DC6

#### Trim Accent (SWV ONLY)

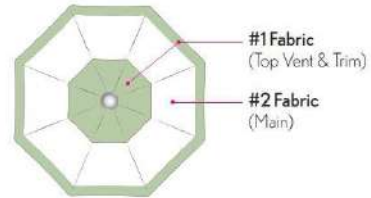
Specify 2 fabrics



### Item No.: DC7

#### Top Vent and Trim Accent (SWV ONLY)

Specify 2 fabrics



## 2. Choose your fabrics, referring to the diagram above for order and number of choices

- Use the Fabric Viewer to preview fabric options
- **IMPORTANT:** Fabric brands cannot be mixed, so please make sure your #1, #2 and #3 fabrics match the same brand (Docril, O'bravia, Outdura, or Sunbrella)
- Here are some example designs:





UM8002  
6664/54048

**DC6**



**6664**  
Churchill Beach  
Stripe



**54048**  
Charcoal



UM8103  
5453/6664

**DC7**



**5453**  
Canvas



**6664**  
Churchill Beach  
Stripe

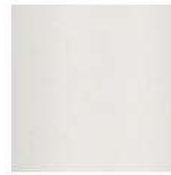
### 3. Select your finish



**UM8100**  
Bronze



**UM8102**  
Anthracite



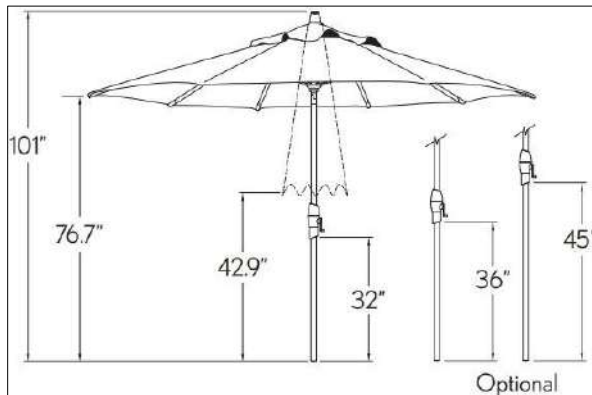
**UM8103**  
White



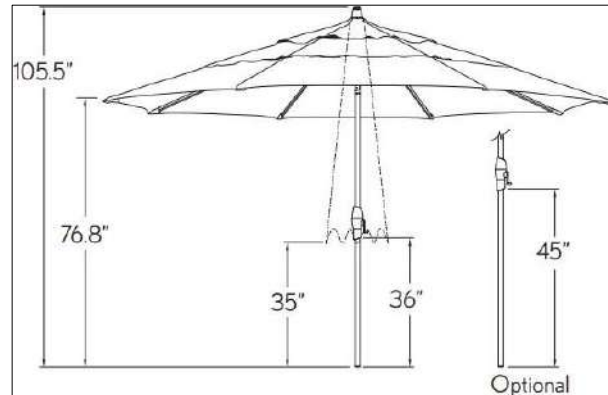
**UM8109**  
Black

### 4. Select your bottom pole length

#### For 9' umbrella:



#### For 11' umbrella:



- 36" is best for counters, 45" is ideal for bars

### Additional ordering information:

- If you can't find the fabric you're looking for or would like to order this canopy for a commercial grade umbrella, give us a call at 1-888-947-4449 for more options!
- Umbrella bases, filler sand and protective covers sold separately
- All designer canopies are made to order and therefore not eligible for return